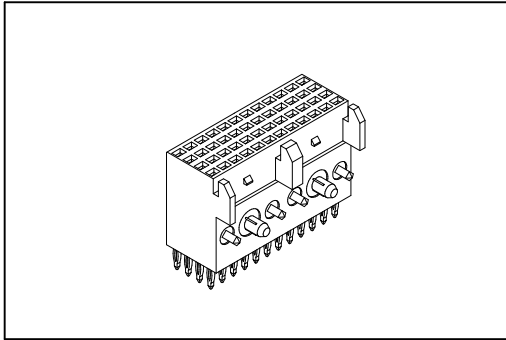


# 9111 Series

## H.D. 2.0mm(0.079") Futurebus(+)4 Rows Female Straight Type



### Material:

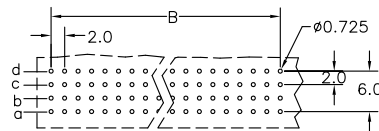
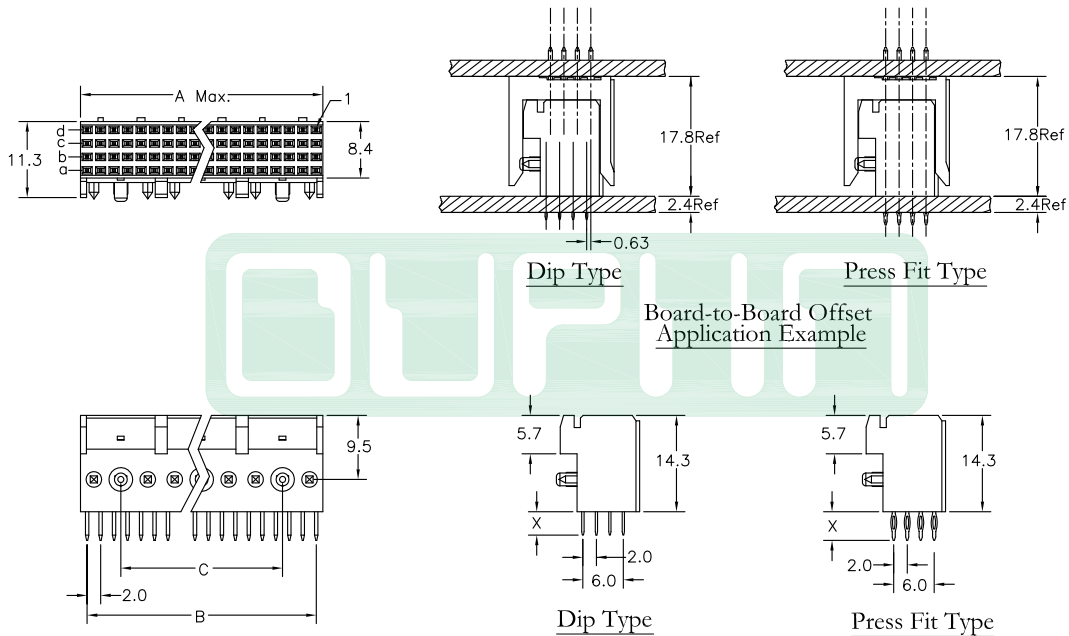
Housing: High Temperature Plastic UL94V-0.  
Contacts: Copper Alloy.

### Electrical Characteristics:

Current Rating: 1 A.  
Dielectric Withstanding Voltage: AC 1000V.  
Insulator Resistance: 1000MΩ min.  
Contact Resistance: 30mΩ max.  
Operating Temperature: -55°C~+125°C.

### Features:

- \* 2mm high density futurebus+ female straight solder and press fit type.
- \* Side by side stackable.



P.C. Board Layout

X Length	1	2	
	3.45	4.25	
*"Available Position			
Position	Dimension		
	A	B	C
* 24	11.95	10.0	
* 48	23.95	22.0	12.0
72	35.95	34.0	24.0
* 96	47.95	46.0	36.0
120	59.95	58.0	48.0
144	71.95	70.0	60.0
168	83.95	82.0	72.0
* 192	95.95	94.0	84.0

## Ordering Information

9111- Series   
 4 4: 4Rows   
 6 6: Female   
 24 Position   
 1 1: Dip Length   
 C C: Selective Gold Plated   
 10 10: 10 μ"   
 D D: Dip Type   
 U U: Tube Package  
 P: Press Fit Type