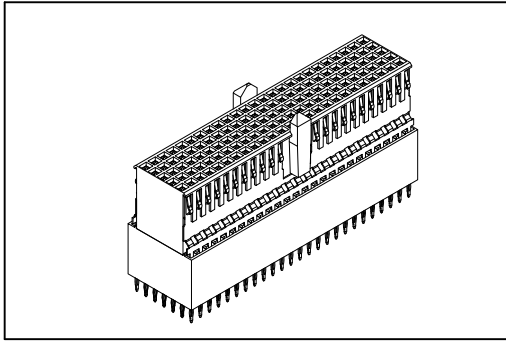


9111 Series

Hard Metric Connector Female Straight

Type AB-25



Material:

Housing: High Temperature Plastic UL94V-0.

Contact: Copper Alloy.

Electrical Characteristics:

Current Rating: 1 A.

Dielectric Withstanding Voltage: AC 750V.

Insulator Resistance: 10000MΩ min.

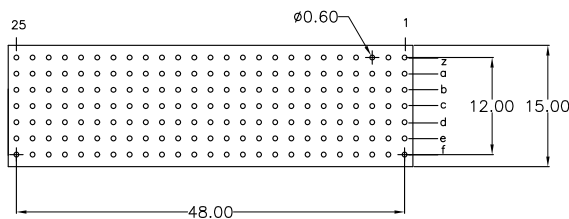
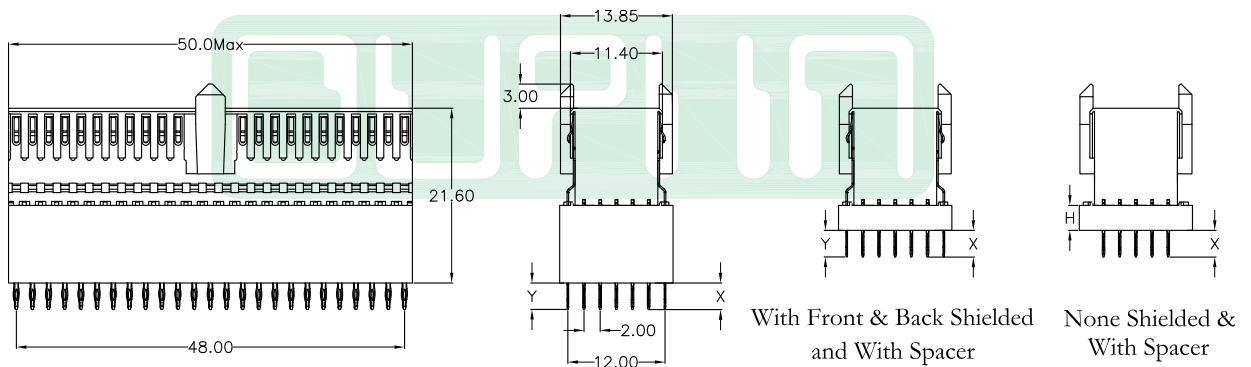
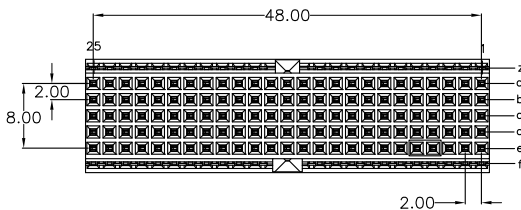
Contact Resistance: 20mΩ max.

Operating Temperature: -55°C ~+125°C .

Features:

* Type AB Straight Female.

5 X 25 Position Fully Loaded.



P.C. Board Layout

**Available Length			
X Dip Length	*	*	
	0	1	2
	3.1	3.3	3.7
Y Shielded Length	*	*	
	0	1	2
	3.1	3.3	3.7
H Spacer Length	*		
	H1	H2	
	3.1	9.6	

Ordering information

9111-	<u>7</u>	<u>4</u>	<u>AB</u>	<u>125</u>	<u>1</u>	<u>2</u>	<u>1</u>	<u>H2</u>	<u>CB</u>	<u>30</u>	<u>A</u>
Series	7Row	4:Female	AB: Type AB	Position	0: Dip Length 3.1mm 1: Dip Length 3.3mm 2: Dip Length 3.7mm	1: None Shielded 2: With Front & Back Shielded	Blank:W/O Shielded 0: Shielded Length 3.1mm 1: Shielded Length 3.3mm 2: Shielded Length 3.7mm	Blank:W/O Spacer H1:With Spacer 3.1mm H2:With Spacer 9.6mm	CB: Contact Au+Pd/Ni, Dip Tin plated	30: 30 μ"	A:Tray Package